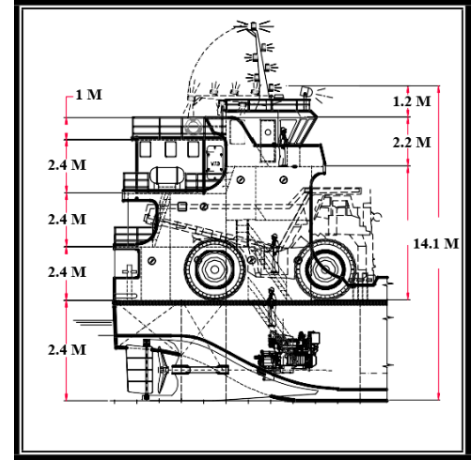


PERUSAHAAN PELAYARAN PT. JAYA HIDUP BARU

Head Office : Jl. Panglima Batur No 36, Samarinda 75112
Telp. 0541 - 7811333

SHIP PARTICULARS

Type of Vessel	: LANDING CRAFT TANK (LCT)
Name of Ship	: CIPTA JAYA HARAPAN 8
Hull No.	: H-007
Classification	: BKI / Equipment for Carriage of Container (ECC)
Call Sign	: YDPW3
GT	: 1335 - NT 401
IMO	: 1082823
Flagged	: Indonesia
Port Of Registry	: SAMARINDA
Year Build	: 2023.-
Owner	: PT. Pelayaran Jaya Hidup Baru
Length of Main Deck	: 73.00 M
Length of Water Line (LWL)	: 72.54 M
Bream mld	: 16.00 M
Depth mld	: 4.50 M
Container 20 Feet	: 116 Teus
Safety Equipment	: SOLAS Regulation
Deck Space	: (B 15.4M x L 60M) + (B 12.2M x L 9M) + (B 10.5M x L 3M)
Main Engine	: 2 unit Yanmar 6AYM - WET 829HP, 610kW @1900rpm
Engine Gearbox	: Yanmar Ratio 6.91:1
AE Generator	: 3 unit Weichai 100kW
Standby Generator	: Yanmar TS 230



Navigation

Radio Communication	: ICOM IC-M330 & M220
GPS	: Furuno GP 39
Radar	: ICOM 1010R
Radio SSB	: ICOM IC-M710
AIS Samyung	: SI-70A
Navtex	: Furuno NX-300D
Echosounder	: Furuno FVC-668

